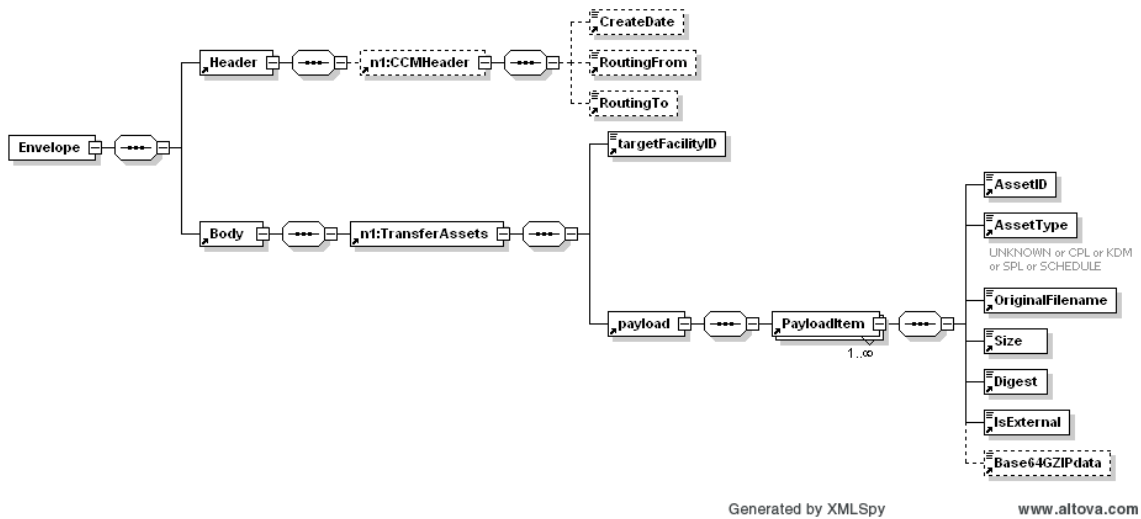


TransferAssets



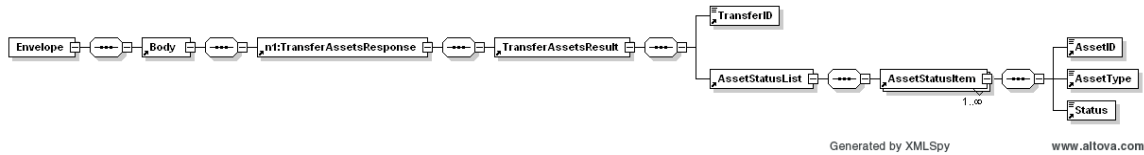
```

<?xml version="1.0" encoding="utf-8"?>
<soap:Envelope xmlns:xsi="http://www.w3.org/2001/XMLSchema-instance"
xmlns:xsd="http://www.w3.org/2001/XMLSchema"
xmlns:soap="http://www.w3.org/2003/05/soap-envelope">
  <soap:Header>
    <CCMHeader xmlns="http://tempuri.org/">
      <CreateDate>string</CreateDate>
      <RoutingFrom>string</RoutingFrom>
      <RoutingTo>string</RoutingTo>
    </CCMHeader>
  </soap:Header>
  <soap:Body>
    <TransferAssets xmlns="http://tempuri.org/">
      <targetFacilityID>string</targetFacilityID>
      <payload>
        <PayloadItem>
          <AssetID>string</AssetID>
          <AssetType>UNKNOWN or CPL or KDM or SPL or SCHEDULE </AssetType>
          <OriginalFilename>string</OriginalFilename>
          <Size>long</Size>
          <Digest>string</Digest>
          <IsExternal>boolean</IsExternal>
          <Base64GZIPdata>string</Base64GZIPdata>
        </PayloadItem>
        <PayloadItem>
          <AssetID>string</AssetID>
          <AssetType> UNKNOWN or CPL or KDM or SPL or SCHEDULE </AssetType>

```

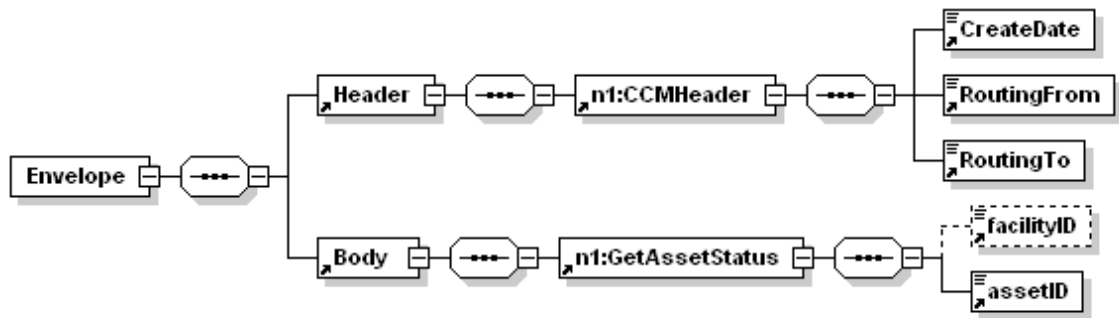
```
<OriginalFilename>string</OriginalFilename>  
<Size>long</Size>  
<Digest>string</Digest>  
<IsExternal>boolean</IsExternal>  
<Base64GZIPdata>string</Base64GZIPdata>  
</PayloadItem>  
</payload>  
</TransferAssets>  
</soap:Body>  
</soap:Envelope>
```

TransferAssetsResponse



```
<?xml version="1.0" encoding="utf-8"?>
<soap:Envelope xmlns:xsi="http://www.w3.org/2001/XMLSchema-instance"
xmlns:xsd="http://www.w3.org/2001/XMLSchema"
xmlns:soap="http://www.w3.org/2003/05/soap-envelope">
  <soap:Body>
    <TransferAssetsResponse xmlns="http://tempuri.org/">
      <TransferAssetsResult>
        <TransferID>string</TransferID>
        <AssetStatusList>
          <AssetStatusItem>
            <AssetID>string</AssetID>
            <AssetType> UNKNOWN or CPL or KDM or SPL or SCHEDULE </AssetType>
            <Status>UNKNOWN or PENDING_DELIVERY or RECEIVED_AT_SITE or
RECEIVED_AT_DEVICE or INVALID_FILE or BAD_DESTINATION or
EXPIRED_KDM</Status>
          </AssetStatusItem>
          <AssetStatusItem>
            <AssetID>string</AssetID>
            <AssetType> UNKNOWN or CPL or KDM or SPL or SCHEDULE </AssetType>
            <Status>UNKNOWN or PENDING_DELIVERY or RECEIVED_AT_SITE or
RECEIVED_AT_DEVICE or INVALID_FILE or BAD_DESTINATION or
EXPIRED_KDM</Status>
          </AssetStatusItem>
        </AssetStatusList>
      </TransferAssetsResult>
    </TransferAssetsResponse>
  </soap:Body>
</soap:Envelope>
```

GetAssetStatus



Generated by XMLSpy

www.altova.com

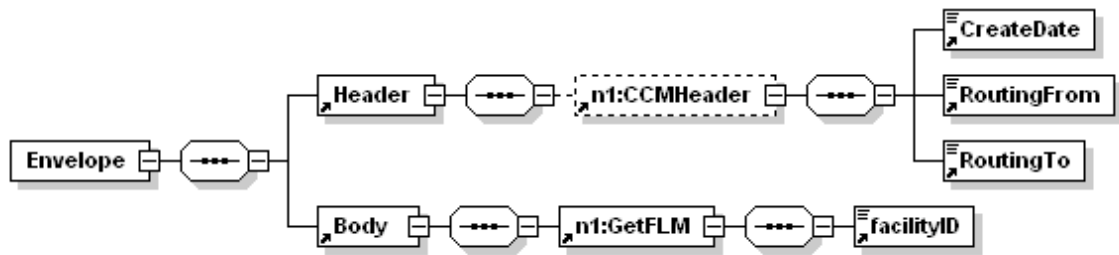
```
<?xml version="1.0" encoding="utf-8"?>
<soap:Envelope xmlns:xsi="http://www.w3.org/2001/XMLSchema-instance"
xmlns:xsd="http://www.w3.org/2001/XMLSchema"
xmlns:soap="http://schemas.xmlsoap.org/soap/envelope/">
  <soap:Header>
    <CCMHeader xmlns="http://tempuri.org/">
      <CreateDate>string</CreateDate>
      <RoutingFrom>string</RoutingFrom>
      <RoutingTo>string</RoutingTo>
    </CCMHeader>
  </soap:Header>
  <soap:Body>
    <GetAssetStatus xmlns="http://tempuri.org/">
      <facilityID>string</facilityID>
      <assetID>string</assetID>
    </GetAssetStatus>
  </soap:Body>
</soap:Envelope>
```

GetAssetStatusResponse



```
<?xml version="1.0" encoding="utf-8"?>
<soap:Envelope xmlns:xsi="http://www.w3.org/2001/XMLSchema-instance"
xmlns:xsd="http://www.w3.org/2001/XMLSchema"
xmlns:soap="http://schemas.xmlsoap.org/soap/envelope/">
  <soap:Body>
    <GetAssetStatusResponse xmlns="http://tempuri.org/">
      <GetAssetStatusResult>
        <TransferID>string</TransferID>
        <AssetStatusList>
          <AssetStatusItem>
            <AssetID>string</AssetID>
            <AssetType>UNKNOWN or CPL or KDM or SPL or SCHEDULE</AssetType>
            <Status>UNKNOWN or PENDING_DELIVERY or RECEIVED_AT_SITE or
RECEIVED_AT_DEVICE or INVALID_FILE or BAD_DESTINATION or
EXPIRED_KDM</Status>
          </AssetStatusItem>
          <AssetStatusItem>
            <AssetID>string</AssetID>
            <AssetType> UNKNOWN or CPL or KDM or SPL or SCHEDULE </AssetType>
            <Status>UNKNOWN or PENDING_DELIVERY or RECEIVED_AT_SITE or
RECEIVED_AT_DEVICE or INVALID_FILE or BAD_DESTINATION or
EXPIRED_KDM</Status>
          </AssetStatusItem>
        </AssetStatusList>
      </GetAssetStatusResult>
    </GetAssetStatusResponse>
  </soap:Body>
</soap:Envelope>
```

GetFLM

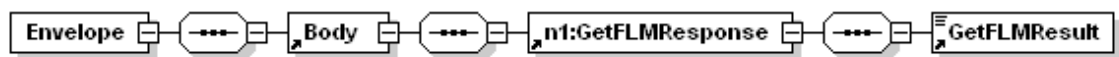


Generated by XMLSpy

www.altova.com

```
<?xml version="1.0" encoding="utf-8"?>
<soap:Envelope xmlns:xsi="http://www.w3.org/2001/XMLSchema-instance"
xmlns:xsd="http://www.w3.org/2001/XMLSchema"
xmlns:soap="http://www.w3.org/2003/05/soap-envelope">
  <soap:Header>
    <CCMHeader xmlns="http://tempuri.org/">
      <CreateDate>string</CreateDate>
      <RoutingFrom>string</RoutingFrom>
      <RoutingTo>string</RoutingTo>
    </CCMHeader>
  </soap:Header>
  <soap:Body>
    <GetFLM xmlns="http://tempuri.org/">
      <facilityID>string</facilityID>
    </GetFLM>
  </soap:Body>
</soap:Envelope>
```

GetFLMReponse (FLM)

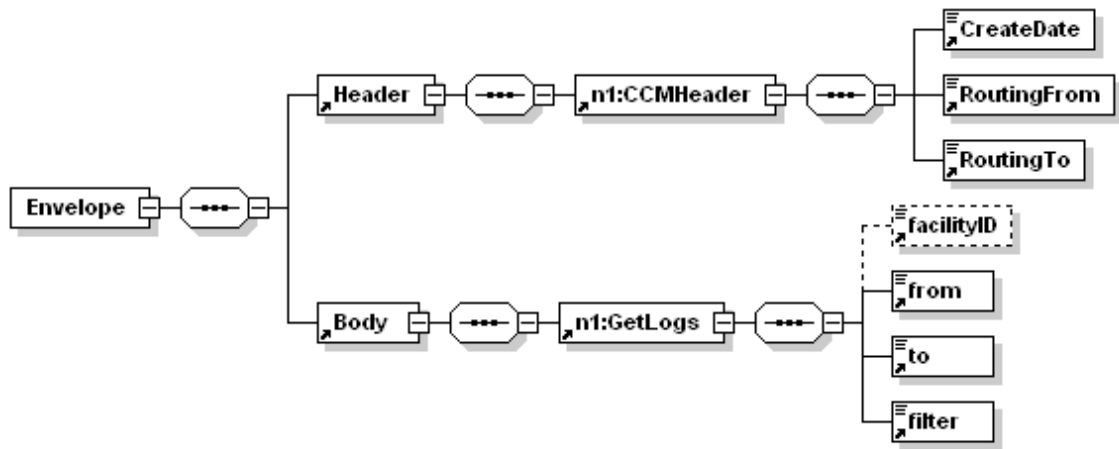


Generated by XMLSpy

www.altova.com

```
<?xml version="1.0" encoding="utf-8"?>
<soap:Envelope xmlns:xsi="http://www.w3.org/2001/XMLSchema-instance"
xmlns:xsd="http://www.w3.org/2001/XMLSchema"
xmlns:soap="http://www.w3.org/2003/05/soap-envelope">
  <soap:Body>
    <GetFLMResponse xmlns="http://tempuri.org/">
      <GetFLMResult>[FLM DOCUMENT GOES HERE]</GetFLMResult>
    </GetFLMResponse>
  </soap:Body>
</soap:Envelope>
```

GetLogs

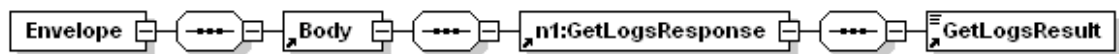


Generated by XMLSpy

www.altova.com

```
<?xml version="1.0" encoding="utf-8"?>
<soap:Envelope xmlns:xsi="http://www.w3.org/2001/XMLSchema-instance"
xmlns:xsd="http://www.w3.org/2001/XMLSchema"
xmlns:soap="http://www.w3.org/2003/05/soap-envelope">
  <soap:Header>
    <CCMHeader xmlns="http://tempuri.org/">
      <CreateDate>string</CreateDate>
      <RoutingFrom>string</RoutingFrom>
      <RoutingTo>string</RoutingTo>
    </CCMHeader>
  </soap:Header>
  <soap:Body>
    <GetLogs xmlns="http://tempuri.org/">
      <facilityID>string</facilityID>
      <from>dateTime</from>
      <to>dateTime</to>
      <filter>string</filter>
    </GetLogs>
  </soap:Body>
</soap:Envelope>
```

GetLogsResponse



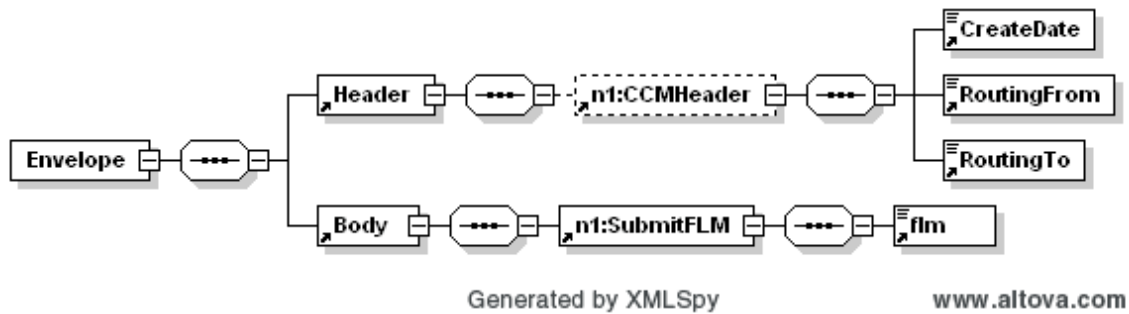
Generated by XMLSpy

www.altova.com

```
<?xml version="1.0" encoding="utf-8"?>
```

```
<soap:Envelope xmlns:xsi="http://www.w3.org/2001/XMLSchema-instance"
xmlns:xsd="http://www.w3.org/2001/XMLSchema"
xmlns:soap="http://www.w3.org/2003/05/soap-envelope">
  <soap:Body>
    <GetLogsResponse xmlns="http://tempuri.org/">
      <GetLogsResult>[LOGS GO HERE]</GetLogsResult>
    </GetLogsResponse>
  </soap:Body>
</soap:Envelope>
```

SubmitFLM



```
<?xml version="1.0" encoding="utf-8"?>
<soap:Envelope xmlns:xsi="http://www.w3.org/2001/XMLSchema-instance"
xmlns:xsd="http://www.w3.org/2001/XMLSchema"
xmlns:soap="http://www.w3.org/2003/05/soap-envelope">
  <soap:Header>
    <CCMHeader xmlns="http://tempuri.org/">
      <CreateDate>string</CreateDate>
      <RoutingFrom>string</RoutingFrom>
      <RoutingTo>string</RoutingTo>
    </CCMHeader>
  </soap:Header>
  <soap:Body>
    <SubmitFLM xmlns="http://tempuri.org/">
      <flm>[FLM GOES HERE]</flm>
    </SubmitFLM>
  </soap:Body>
</soap:Envelope>
```

SubmitFLMResponse

```
<?xml version="1.0" encoding="utf-8"?>
<soap:Envelope xmlns:xsi="http://www.w3.org/2001/XMLSchema-instance"
xmlns:xsd="http://www.w3.org/2001/XMLSchema"
xmlns:soap="http://www.w3.org/2003/05/soap-envelope">
  <soap:Body>
    <SubmitFLMResponse xmlns="http://tempuri.org/" />
  </soap:Body>
</soap:Envelope>
```